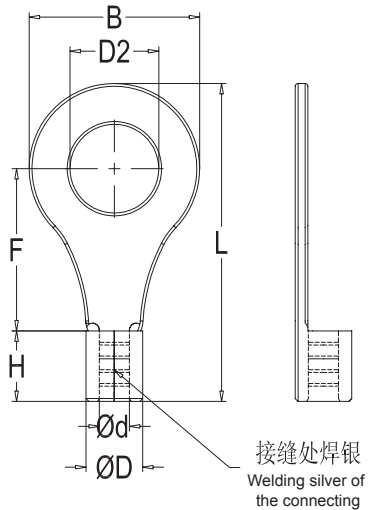
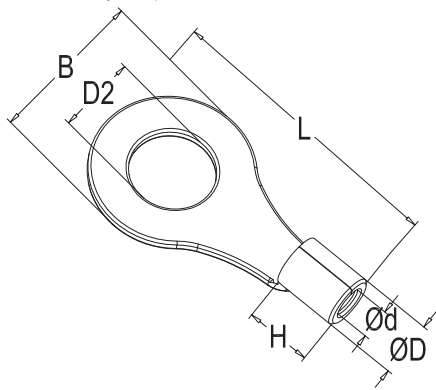


RCCN 日成R型裸端子 R Non-Insulated Ring Terminals



说明：本系列配套工具 YYT-8 YYT-70 240
Note: installed by crimp tool YYT-8

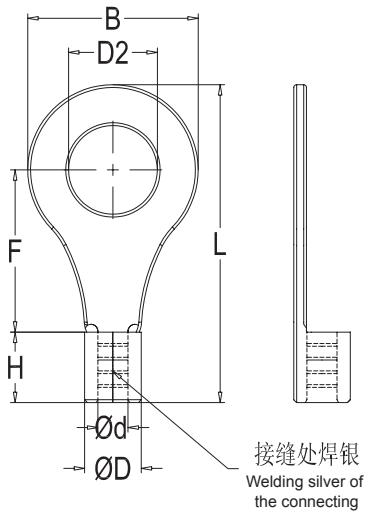
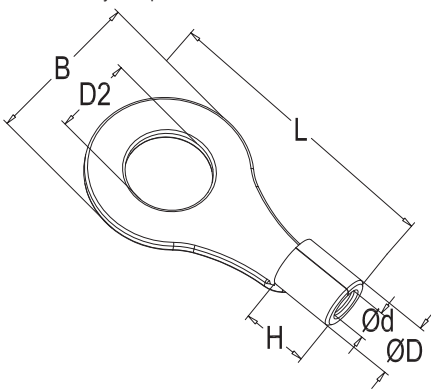


型号 Item No.	尺寸 DIMENSION							
	AWG mm ² 电流/包装	螺栓口直径 Dia. of bolt D2	B mm	L mm	F mm	H mm	D φ mm	d φ mm
R1.25-3		3.2mm	5.5	12.5	5.0			
RS1.25-3.5		3.7mm	5.5	12.5	5.0			
RM1.25-3.5		3.7mm	6.6	14.4	6.3			
RL1.25-3.5		3.7mm	8.0	15.8	7.0			
RS1.25-4	22-16	4.3mm	6.6	14.4	6.3			
RL1.25-4	0.5-1.5	4.3mm	8.0	15.8	7.0			
R1.25-5	19A	5.3mm	8.0	15.8	7.0	4.8	3.4	1.7
RL1.25-5	1000PCS	5.3mm	9.8	18.0	8.5			
RS1.25-6		6.4mm	9.8	18.0	8.5			
RL1.25-6		6.4mm	11.6	21.8	11.0			
RL1.25-8		8.4mm	11.6	21.8	11.0			
RL1.25-10		10.5mm	13.6	25.5	13.9			
RL1.25-12		13.0mm	19.2	30.4	16.0			
R2-3		3.2mm	6.6	12.8	4.8			
RS2-3.5		3.7mm	6.6	12.8	4.8			
RM2-3.5		3.7mm	6.6	14.4	6.3			
RL2-3.5		3.7mm	8.5	16.5	7.4			
RS2-4	16-14	4.3mm	6.6	14.4	6.3			
RL2-4	1.5-2.5	4.3mm	8.5	16.5	7.4	4.8	4.1	2.3
RS2-5	27A	5.3mm	8.5	16.5	7.4			
RL2-5	1000PCS	5.3mm	9.5	17.0	7.4			
R2-6		6.5mm	12.0	21.8	11.0			
R2-8		8.4mm	12.0	21.8	11.0			
R2-10		10.5mm	13.6	25.5	13.9			
R2-12		13.0mm	19.2	30.4	16.0			
R3.5-4		4.3mm	8.0	18.0	7.7			
RS3.5-5	14-12	5.3mm	8.0	18.0	7.7			
RL3.5-5	2.5-4	5.3mm	12.0	21.4	7.7	6.0	5.0	3.0
R3.5-6	37A	6.4mm	12.0	21.4	7.7			
R3.5-8	500PCS	8.4mm	15.0	27.0	13.5			
R3.5-10		10.5mm	15.0	27.0	13.5			
R5.5-3.5		3.7mm	7.2	15.7	6.1			
RS5.5-4		4.3mm	7.2	15.7	6.1			
RL5.5-4	12-10	4.3mm	9.5	19.0	8.3			
R5.5-5	4-6	5.3mm	9.5	19.0	8.3	6.8	5.6	3.4
R5.5-6	48A	6.5mm	12.0	22.5	10.5			
R5.5-8	500PCS	8.4mm	15.0	27.0	13.3			
R5.5-10		10.5mm	15.0	27.0	13.3			
R5.5-12		13.0mm	19.2	31.6	16.0			
R8-4		4.3mm	8.8	23.8	9.3			
RS8-5		5.3mm	8.8	23.8	10.5			
RM8-5		5.3mm	12.0	23.8	9.3			
RL8-5	8	5.3mm	15.0	29.8	13.8			
RS8-6	6-10	6.5mm	12.0	23.8	9.3	8.5	7.2	4.5
RL8-6	62A	6.5mm	15.0	29.8	13.8			
R8-8	500PCS	8.4mm	15.0	29.8	13.8			
R8-10		10.5mm	15.0	29.8	13.8			
R8-12		13.0mm	20.0	33.5	15.0			
R14-4		4.3mm	12.0	29.8	13.3			
R14-5		5.3mm	12.0	29.8	13.3			
RS14-6	6	6.4mm	12.0	29.8	13.3			
RL14-6	10-16	6.4mm	16.0	32.5	14.2	10.5	9.0	5.8
R14-8	88A	8.4mm	16.0	32.5	14.2			
R14-10	500PCS	10.5mm	16.0	32.5	14.2			
R14-12		13.0mm	22.0	41.0	19.8			

RCCN 日成R型裸端子 R Non-Insulated Ring Terminals



说明：本系列配套工具 YTT-8 YTT-70 240
Note: installed by crimp tool YTT-8



型号 Item No.	尺寸 DIMENSION								
	AWG mm ² 电流/包装	螺栓口直径 Dia. of bolt D2	B mm	L mm	F mm	H mm	Dφ mm	dφ mm	
RS22-5	4 16~25	5.3mm	12.2	33.2	15.1	12.0	11.5	7.7	
RL22-5		5.3mm	16.5	33.5	13.5				
RS22-6		6.5mm	12.2	33.0	15.1				
RL22-6		6.5mm	16.5	33.5	13.5				
R22-8		115A	8.4mm	16.5	33.5				16.5
R22-10		100PCS	10.5mm	16.5	33.5				16.5
R22-11	2 35~50 160A	11.5mm	22.0	42.5	19.7	14.0	13.3	9.4	
R22-12		13.0mm	22.0	42.5	19.7				
R38-5		5.3mm	15.3	39.0	17.4				
R38-6		6.4mm	15.3	39.0	17.4				
RS38-8		8.4mm	15.3	39.0	17.4				
RL38-8		8.4mm	22.0	42.7	17.7				
RS38-10	10.5mm	15.3	39.0	17.4					
RL38-10	10.5mm	22.0	42.7	17.7					
R38-11	1/0 50~70 215A	11.5mm	22.0	42.7	17.7	18.0	15.4	11.7	
R38-12		13.0mm	22.0	42.7	17.7				
R60-6		6.5mm	22.0	49.7	20.7				
R60-8		8.4mm	22.0	49.7	20.7				
R60-10		10.5mm	22.0	49.7	20.7				
R60-12		13.0mm	22.0	49.7	20.7				
R60-14	100PCS	15.0mm	32.0	57.5	23.5				
R60-16		17.0mm	32.0	57.5	23.5				
R60-18		19.0mm	32.0	57.5	23.5				
R60-20		21.0mm	32.0	57.5	23.5				
R70-6		2/0 70	6.5mm	24.0	51.0	20.0	19.0	17.5	13.0
R70-8			8.4mm	24.0	51.0	20.0			
R70-10	10.5mm		24.0	51.0	20.0				
R70-12	13.0mm		24.0	51.0	20.0				
R70-14	15.0mm		32.0	61.0	26.0				
R70-16	17.0mm		32.0	61.0	26.0				
R70-18	100PCS	19.0mm	32.0	61.0	26.0				
R70-20		21.0mm	32.0	61.0	26.0				
R80-6		3/0 80	6.5mm	27.0	53.5	20.7	20.0	19.5	14.5
R80-8			8.4mm	27.0	53.5	20.7			
R80-10			10.5mm	27.0	53.5	20.7			
R80-12			13.0mm	27.0	53.5	20.7			
R80-14	15.0mm		32.0	68.0	32.0				
R80-16	17.0mm		32.0	68.0	32.0				
R80-18	100PCS	19.0mm	32.0	68.0	32.0				
R80-20		21.0mm	32.0	68.0	32.0				
R100-6		4/0 95~100 300A	6.5mm	28.5	55.6	20.4	21.0	22.1	16.4
R100-8			8.4mm	28.5	55.6	20.4			
R100-10			10.5mm	28.5	55.6	20.4			
R100-12			13.0mm	28.5	55.6	20.4			
R100-14	15.0mm		32.0	69.0	32.0				
R100-16	17.0mm		32.0	69.0	32.0				
R100-18	100PCS	19.0mm	32.0	69.0	32.0				
R100-20		21.0mm	32.0	69.0	32.0				
R150-8		250/300MCM 120~150 395A	8.4mm	36.0	66.0	23.0	27.0	26.6	19.5
R150-10			10.5mm	36.0	66.0	23.0			
R150-12			13.0mm	36.0	66.0	23.0			
R150-14			15.0mm	36.0	66.0	23.0			
R150-16	17.0mm		36.0	66.0	23.0				
R150-18	19.0mm		36.0	81.0	36.0				
R150-20	100PCS	21.0mm	36.0	81.0	36.0				
R150-22		23.0mm	36.0	81.0	36.0				
R150-24		25.0mm	36.0	81.0	36.0				

型号 Item No.		
180平方/440A	200-300平方/470A	300-400平方/650A
R180-8	R200-8	R325-8
R180-10	R200-10	R325-10
R180-12	R200-12	R325-12
R180-14	R200-14	R325-14
R180-16	R200-16	R325-16
R180-18	R200-18	R325-18
R180-20	R200-20	R325-20
R180-22	R200-22	R325-22
R180-24	R200-24	R325-24
R180-27	R200-27	R325-27