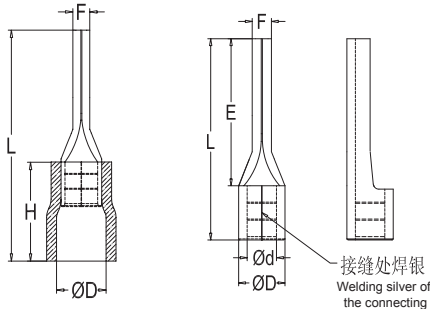


RCCN 日成PINF针型绝缘端子 PINF Insulated Terminals



| 型号 Item No. | AWG mm ² 包装 | 尺寸 DIMENSION | | | | 颜色 Color |
|----------------|------------------------------|--------------|---------|---------|-----------|-------------|
| | | F φ mm | L mm | H mm | D φ mm | |
| PINF1.25-9 | 22-16 0.5-1.5 1000PCS | 1.9 | 19.0 | 10.0 | 4.0 | 红/Red |
| PINF1.25-10 | | 1.9 | 20.0 | | | |
| PINF1.25-12 | | 1.9 | 22.0 | | | |
| PINF1.25-13 | | 1.9 | 23.0 | | | |
| PINF1.25-18 | 1.9 | 28.0 | | | | |
| PINF2-9 | 16-14 1.5-2.5 1000PCS | 1.9 | 19.0 | 10.0 | 4.5 | 蓝/Blue |
| PINF2-10 | | 1.9 | 20.0 | | | |
| PINF2-12 | | 1.9 | 22.0 | | | |
| PINF2-13 | | 1.9 | 23.0 | | | |
| PINF2-18 | 1.9 | 28.0 | | | | |
| PINF3.5-10 | 14-12 2.5-4 500PCS | 2.8 | 20.5 | 13.5 | 6.4 | 黑/Black |
| PINF3.5-13 | 500PCS | 2.8 | 25.5 | 13.5 | 6.4 | 黑/Black |
| PINF5.5-13 | 12-10/4-6 | 2.8 | 25.5 | 13.5 | 6.4 | 黄/Yellow |



RCCN 日成PIN针型裸端子

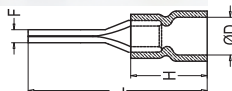


| 型号 Item No. | AWG mm ² 包装 | 尺寸 DIMENSION | | | | |
|----------------|------------------------------|--------------|---------|---------|-----------|-----------|
| | | F φ mm | L mm | E mm | D φ mm | d φ mm |
| PIN1.25-9 | 22-16 0.5-1.5 1000PCS | 1.9 | 13.8 | 9 | 3.4 | 1.7 |
| PIN1.25-10 | | 1.9 | 14.8 | 10 | | |
| PIN1.25-12 | | 1.9 | 16.8 | 12 | | |
| PIN1.25-13 | | 1.9 | 17.8 | 13 | | |
| PIN1.25-18 | 1.9 | 22.8 | 18 | | | |
| PIN2-9 | 16-14 1.5-2.5 1000PCS | 1.9 | 13.8 | 9 | 4.1 | 2.3 |
| PIN2-10 | | 1.9 | 14.8 | 10 | | |
| PIN2-12 | | 1.9 | 16.8 | 12 | | |
| PIN2-13 | | 1.9 | 17.8 | 13 | | |
| PIN2-18 | 1.9 | 22.8 | 18 | | | |
| PIN3.5-10 | 14-12/2.5-4 500PCS | 2.8 | 14.8 | 10 | 5.0 | 3.0 |
| PIN3.5-13 | 500PCS | 2.8 | 19.8 | 13 | 5.0 | 3.0 |
| PIN5.5-13 | 12-10/4-6 | 2.8 | 19.8 | 13 | 5.6 | 3.4 |

RCCN 日成EPINF针型易进绝缘端子 EPINF Insulated Terminals



| 型号 Item No. | AWG mm ² 包装 | 尺寸 DIMENSION | | | | 颜色 Color |
|----------------|------------------------------|--------------|---------|---------|-----------|-------------|
| | | F φ mm | L mm | H mm | D φ mm | |
| EPINF1.25-9 | 22-16 0.5-1.5 1000PCS | 1.9 | 19.0 | 10.0 | 4.0 | 红/Red |
| EPINF1.25-10 | | 1.9 | 20.0 | | | |
| EPINF1.25-12 | | 1.9 | 22.0 | | | |
| EPINF1.25-13 | | 1.9 | 23.0 | | | |
| EPINF1.25-18 | 1.9 | 28.0 | | | | |
| EPINF2-9 | 16-14 1.5-2.5 1000PCS | 1.9 | 19.0 | 10.0 | 4.5 | 蓝/Blue |
| EPINF2-10 | | 1.9 | 20.0 | | | |
| EPINF2-12 | | 1.9 | 22.0 | | | |
| EPINF2-13 | | 1.9 | 23.0 | | | |
| EPINF2-18 | 1.9 | 28.0 | | | | |
| EPINF3.5-10 | 12-10/4-6/500PCS | 2.8 | 20.5 | 13.5 | 6.4 | 黑/Black |
| EPINF3.5-13 | | 2.8 | 25.5 | 13.5 | 6.4 | 黑/Black |
| EPINF5.5-13 | | 2.8 | 25.5 | 13.5 | 6.4 | 黄/Yellow |



RCCN 日成EDBF片形易进绝缘端子 EDBF Insulated Terminals



| 型号 Item No. | AWG mm ² 包装 | 尺寸 DIMENSION | | | | 颜色 Color |
|----------------|------------------------------|--------------|---------|---------|-----------|-------------|
| | | F mm | L mm | H mm | D φ mm | |
| EDBF1.25-10 | 0.5-1.5 1000PCS | 3.0 | 21.0 | 10.0 | 4.3 | 红/Red |
| EDBF1.25-11 | | 3.0 | 24.0 | | | |
| EDBF1.25-14 | | 2.2 | 28.0 | | | |
| EDBF1.25-18 | | 2.2 | 28.0 | | | |
| EDBF2-10 | 16-14 1.5-2.5 1000PCS | 2.4 | 19.0 | 10.0 | 4.9 | 蓝/Blue |
| EDBF2-14 | | 2.4 | 24.0 | | | |
| EDBF2-18 | | 2.2 | 28.0 | | | |
| EDBF5.5-10 | 12-10 | 2.8 | 22.5 | 13.5 | 5.6 | 黄/Yellow |
| EDBF5.5-14 | 4-6 | 4.5 | 26.5 | | | |
| EDBF5.5-18 | 500PCS | 4.5 | 30.5 | | | |

